

Seneca-Tuscarora District Klondike Derby 2010



General Information

When: Saturday, March 13, 2010

Time: 8:00 AM to 3:00 PM

Camping: No winter camping this year

Where: Verona Firehouse

Cost: **Early-Bird Registration – Registered by February 26, 2010**

Scouts \$6.00

Adult Leaders \$4.00

Late Registration – Registered after February 26, 2010

Scouts \$9.00

Adult Leaders \$7.00

Only those registered and paid by February 26th will be guaranteed patches at the event.

Cancellation Cancellation information will be posted as early as possible at the following:

Information: WMCR 106.3 FM
Time Warner Cable Channel 10 News 10 Now Website - www.news10now.com

Information:

1. Each participating Scouts and Leaders must bring to the Klondike Derby a complete Health Form (Part A & C).
The necessary and required form is attached.
2. Registration fees are non-refundable.
3. Detailed information will be mailed to leaders prior to event.

The Klondike Derby is a winter camping and outdoor skills competition. Each competing patrol or crew needs a Klondike sled that uses Scout power to pull the sled. Patrols or crews will load their sleds with their personal and patrol equipment and pull them through a designated course. Patrols and sleds will follow a predetermined course to visit each of the Klondike "cities".

Schedule:

Saturday	8:00 – 9:00 AM	Check-In and Registration
	8:30 – 9:00 AM	Events Begin
	9:00 – 11:30 AM	Events
	11:30 – 12:30 PM	Lunch at your current city
	12:30 – 2:00 PM	Afternoon competition
	2:00	Sled Due Back to Headquarters
	2:30 – 3:00 PM	Closing Awards Ceremony

Help needed:

Adult Leaders are needed to assist with the stations and other tasks at the Klondike Derby. If you are willing to assist with this event, please contact Heather Braathen.

Questions:

Sam Getman – Event Chair
Getman016@morrisville.edu
941-7892

Heather Braathen
braathen@twcny.rr.com
655-4227 or 278-3473

David Fitzgerald, Senior District Executive
dfitzger@bsamail.org
735-4437 ext 213

Klondike Derby Events:

- First Aid
- Fire Building
- Plant and Animal ID
- Scout Trivia
- Knots
- Shelter Building
- Leave No Trace
- Ice Rescue
- Orienteering
- Sled Inspection
- Lunch Preparation on Trail plus for 3 guest
- Other activities – Be Prepared!

Awards: Awards for first, second and third place overall winners will be presented at the closing ceremony

Required Sled Patrol Gear:

- Klondike Sled or equivalent
- Compass
- Pocket Knife
- Trash Bag
- Stove or Firewood for cooking
- Small Shovel
- Tent Stakes (6)
- Ground Sheet for fire
- Patrol Flag
- 6 foot Poles (3)
- Pen and Paper
- Boy Scout Handbook
- Water for lunch and clean-up
- Fire Starting materials
- #10 Can (Empty)
- Patrol Roster
- Blanket
- Tarp
- Flashlight
- Rope (8) 8ft lengths
- First Aid Kit
- Lunch for Patrol Members - to cook on trail

Clothing:

Scouts need good outdoor winter clothing such as thermal underwear, gloves, hats, warm coats, socks and boots. Be prepared for a cold weekend – even if it isn't. Dress in layers, so that the layers can be removed if you're hot or added if you're cold. Be prepared!

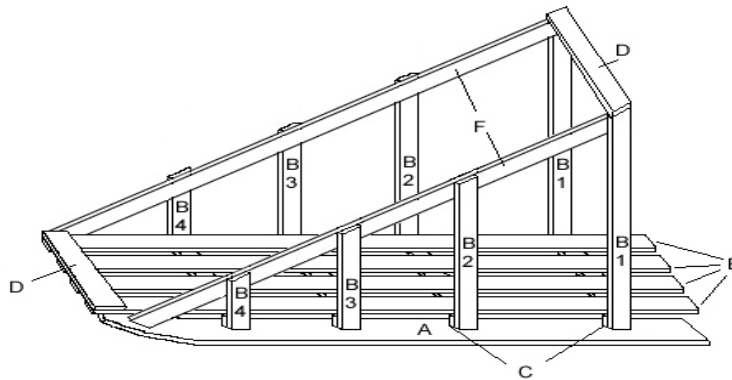
Directions:

5555 Volunteer Ave., Verona - Take 365 North to Spring Road, turn left. Turn left on Main Street. Turn right on Volunteer Avenue.

Sample Klondike Derby Sled Plans:

The sled below is shown as a guide. Your own design may be used if it conforms to the minimum and maximum dimensions. Make sure the sled is strong enough to bear the weight of the equipment, its a long and bumpy ride. It is best to use screws rather than nails, be sure to drill pilot holes first to avoid splitting the wood. Paint the sled and varnish the bottom of the runners. For extra speed, wax the runners before using. You can add a canvas snow curtain to keep equipment dry. Lace the sides with nylon rope to keep equipment from falling off the sled. Mount a pole on your sled to fly your Troop or Patrol Flag! Sleds will be inspected for safety prior to the competition.

Secure a towing rope at the front and secure a brake rope at the rear. You may want to have a set of wheels in case there is no snow.



Item	Label	Quantity	Dimensions
Runners	A	2	1" x 4" x 6'2"
Uprights	B1	2	1" x 4" x 3'6"
	B2	2	1" x 4" x 2'8"
	B3	2	1" x 4" x 1'9"
	B4	2	1" x 4" x 10"
Upright Supports	C	8	2" x 4" x 4"
Cross Supports	D	6	1" x 4" x 1'5"
Floor Strips	E	4	1" x 4" x 6'
Hand Rails	F	2	1" x 2" x 7'
Front Supports	G	2	1" x 4" x 6"

Seneca-Tuscarora District Klondike Derby – 2010

Registration Form

Unit No# _____ District _____ Town _____

Unit Leader _____ Position _____

Address _____

City _____ State _____ Zip _____

Phone _____ E-Mail _____

Register before February 26, 2010

____ Scouts @ \$6.00 each = \$ _____

____ Adult Leaders @ \$4.00 each = \$ _____

Total each = \$ _____

Register after February 26, 2010

____ Scouts @ \$9.00 each = \$ _____

____ Adult Leaders @ \$7.00 each = \$ _____

Total each = \$ _____

Method of Payment: *Revolutionary Trails Council, BSA is authorized to charge the following below for the amount indicated.*

Check/Cash Unit Account MasterCard VISA

Unit Account Authorization _____

Account No# _____ Expiration Date _____

Name as it appears on Card _____ CVC Code _____

Cardholder Signature _____ Zip Code _____

Please mail registration form and fees to:

Revolutionary Trails Council, BSA
2010 SETA Klondike Derby
1401 Genesee Street
Utica, NY 13501
735-4437 or Fax 735-9184

REGISTRATION FEES MUST ACCOMPANY REGISTRATION FORM

**Please do not submit Health Forms with Registration.
Please bring to event.**